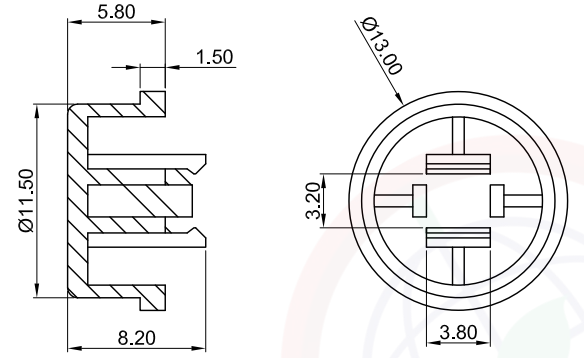


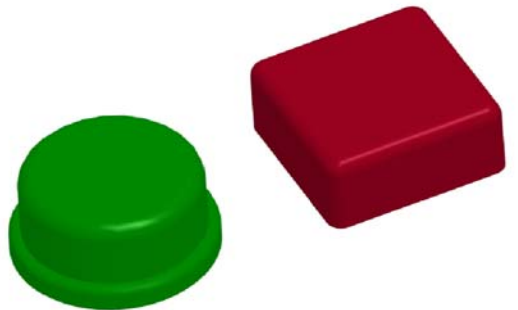
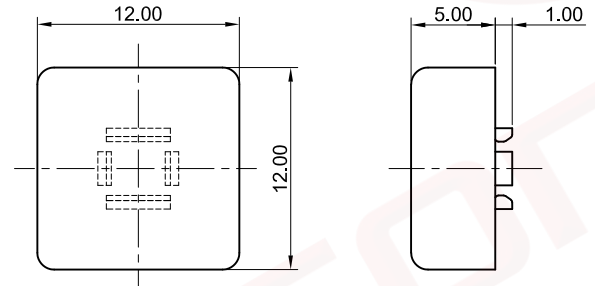
Dept
Qty
DC 1
ED 1
IE 1
ISO 1
PD 1
R&D 1
SD 1
QA 1
QC 1
QE 1

The information provided herein is from CONNELY Electronic Co., Ltd. and is confidential. Any disclosure to a party other than the recipient is prohibited. The intellectual properties and its rights contained herein, including but not limited to, trademarks, patents, copyrights, trade secrets, and technical know-how, are owned exclusively by CONNELY or its affiliates. Unauthorized use of the information herein, in any format or manner, CONNELY may enforce its intellectual property rights at its own discretion; failures or delays to exercise such rights does not constitute a waiver of such rights.

Circle



Square



(Series Image-Reference Only)

REV.	DESCRIPTION	DRAWN	CHECKED	APPROVED
A	NEW RELEASE	LJC 08/16/07'		LJC 08/16/07'
B	DRAWING UPDATE	JLZ 10/19/20'		
C	DRAWING UPDATE	JLZ 01/13/26'		

NOTES:

- 1.Material: ABS.
- 2.These Cover for switches are available in square and circle.
- 3.The color are available on request.Standard color is Ivory.
- 4.Part Number Code:
DS1042-02 - X X



GENERAL TOLERANCE		ANGLE TOLERANCE		PROJECTION		TITLE	Switch Cover	
X.	±0.60	X.	±5°	UNITS	mm			
.X	±0.38	.X	±3°	SHEET SIZE	A4	SERIES	DS1042-02 SERIES	
.XX	±0.25	.XX	±2°	晨翔电子有限公司 CONNFLY CONNELY ELECTRONIC CO. LTD				
DRAWING TYPE		CUSTOMER						
SCALE	1:1	SHEET	1 OF 1					
DRAWING NO.		C-DS1042-02-XX-C						